

## How to Protect Your Home from Rainwater Damage

Few things are as stressful to homeowners as water damage. It can be a sinister, creeping issue that many don't discover until it has become a big, expensive problem.



Protect your walkway

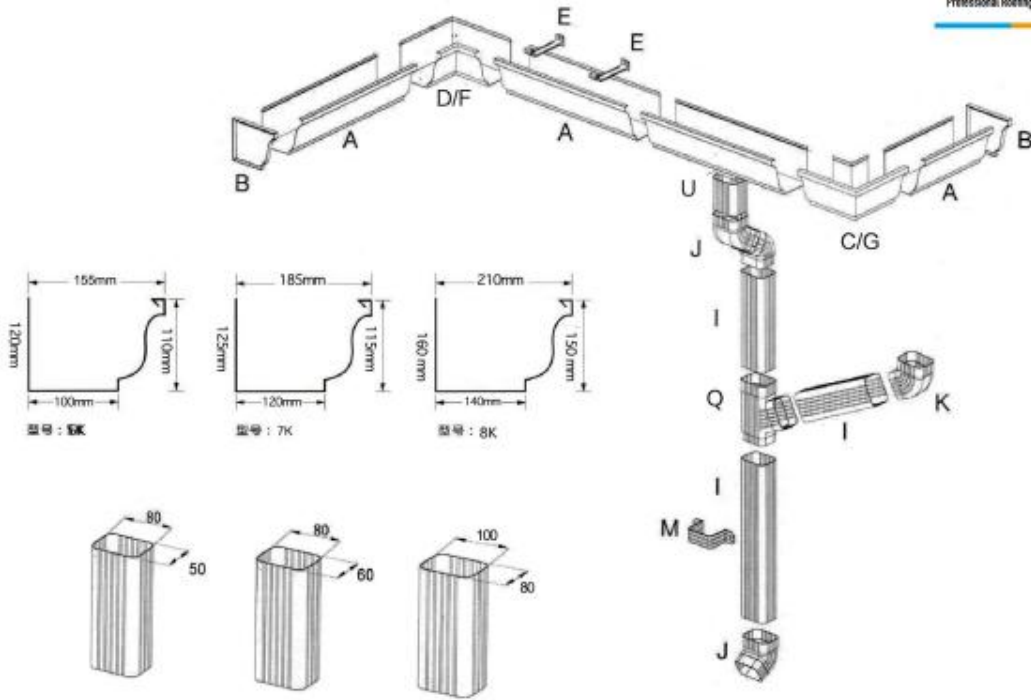


At its worst, moisture has the potential to damage your home beyond affordable repair, with heavy structural consequences that include mold, wood rot, and even foundation cracks. If you're lucky, you'll catch it early and stop it before it spreads. But even small leaks that allow rainwater into the house can require major repairs to keep moisture at bay.

The best way to deal with water damage is to stop it before it starts. Here are measures that you can take to prevent water from entering your home from outside.



**Properly handling the rainwater is essential for protecting your home's structure and keeping your home dry.**



### Colored Aluminum Drainage System Pictures



A:Gutter



B:End Cap



C:90°outside corner



D:90°inside corner



E:Hanger



F:135°inside corner



G:135°outside corner



I:Downspout



J:65°Downspout Elbow



K:90°Downspout Elbow



O:Downspout Connector



Q:Skew Tee



S:Arc.Drop Outlet



T:Leaf Guard



U:Drop Outlet



**PROJECT CASE 1**





**PROJECT CASE 2**

